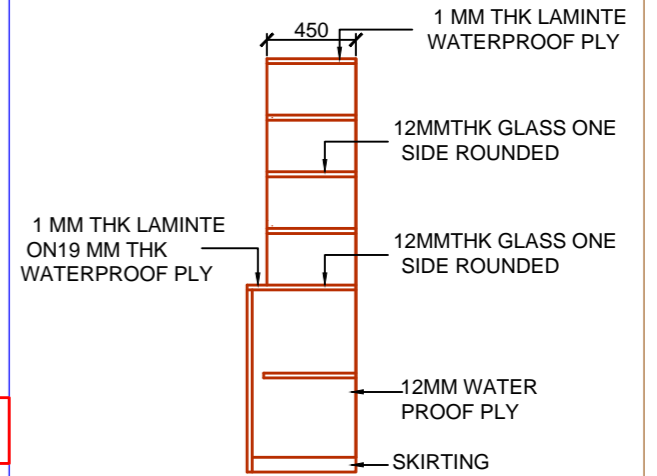
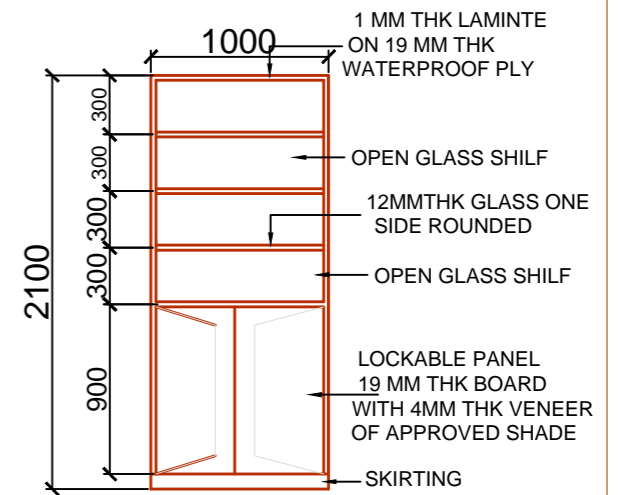


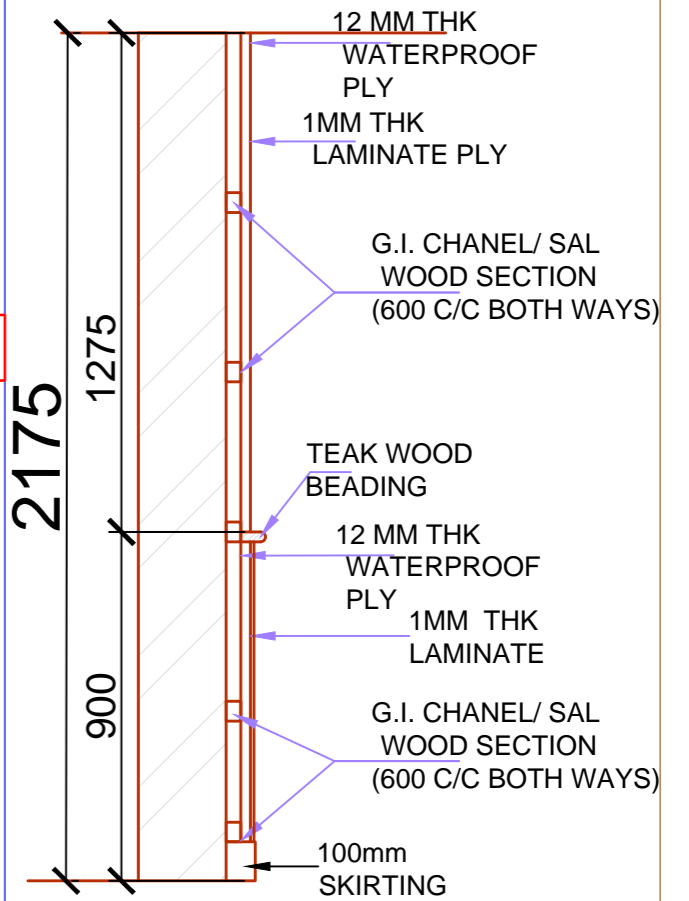
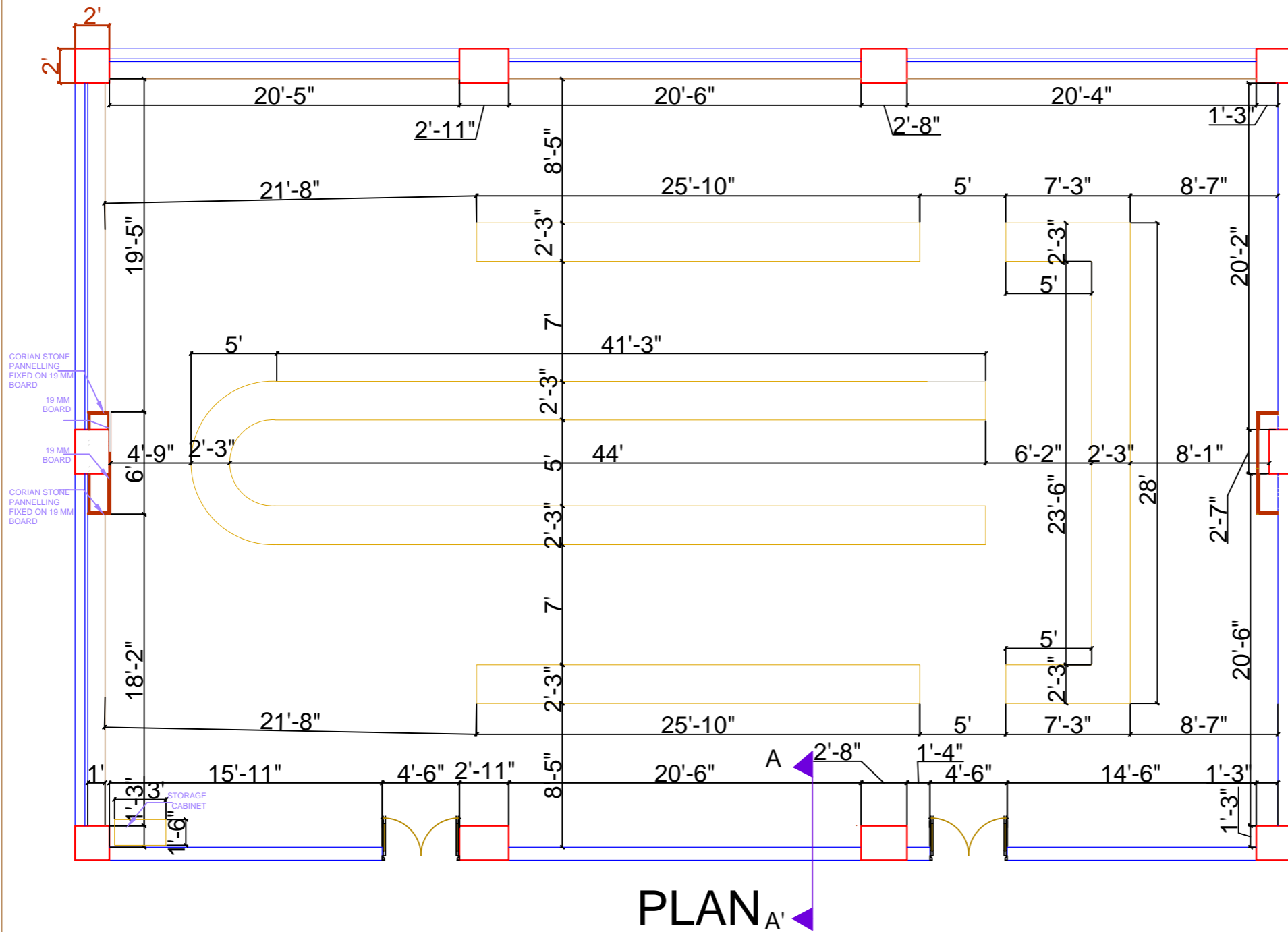
PLAN



SECTION STORAGE SHELF

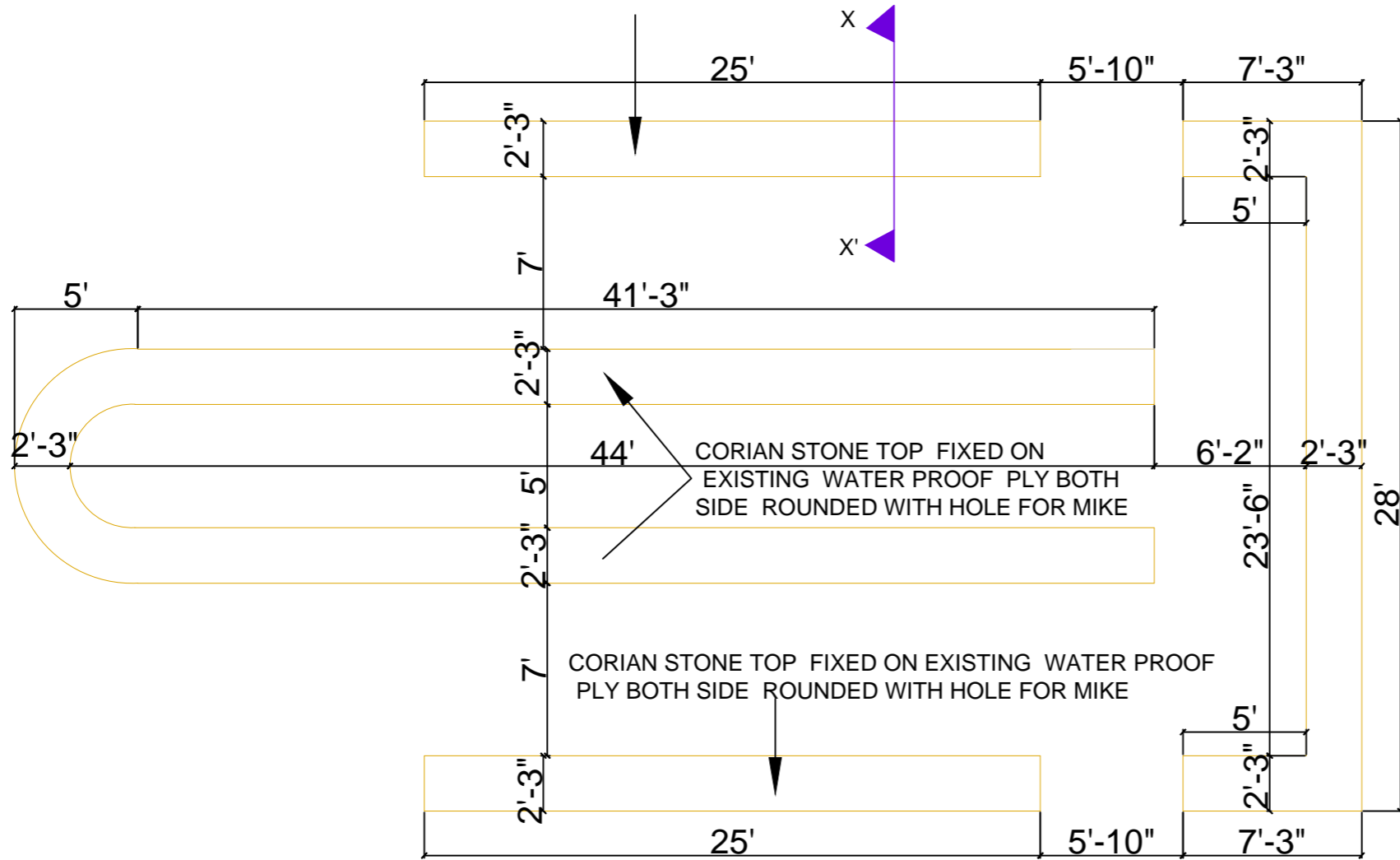


STORAGE SHELF

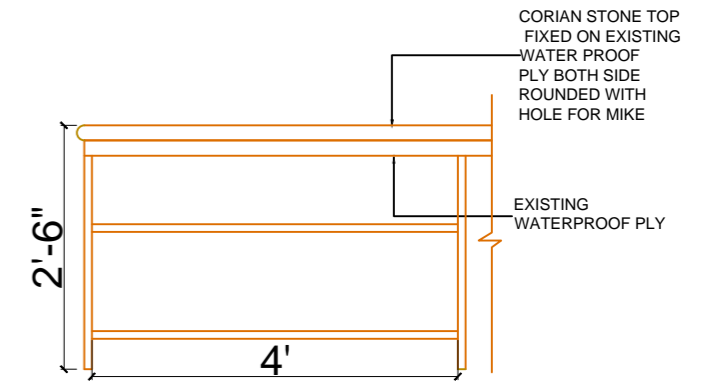


PANELING WALL SECTION A-A'

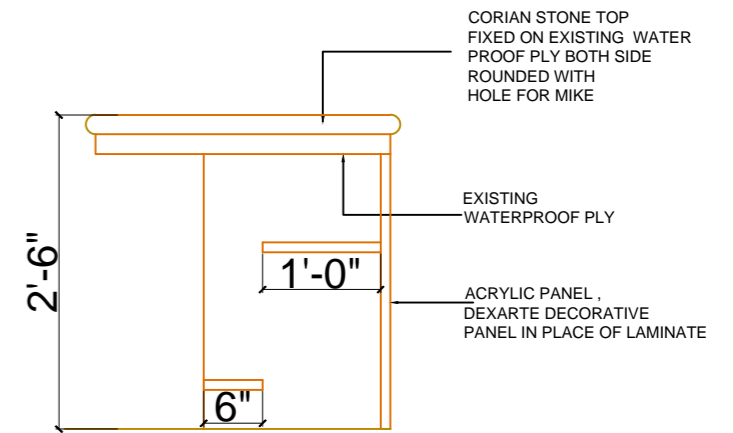
CORIAN STONE TOP FIXED ON EXISTING WATER PROOF PLY BOTH SIDE ROUNDED WITH HOLE FOR MIKE



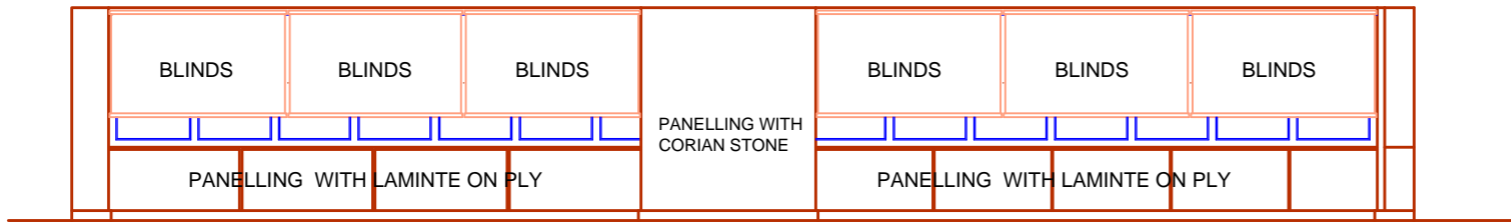
PLAN CONFERENCE TABLE



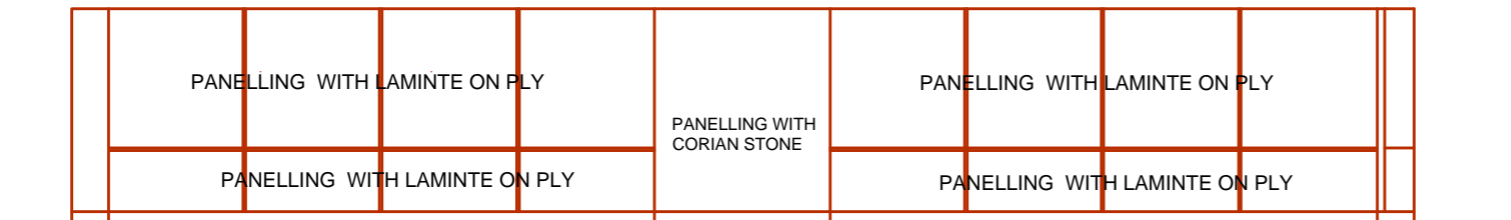
ELEVATION N.T.S.



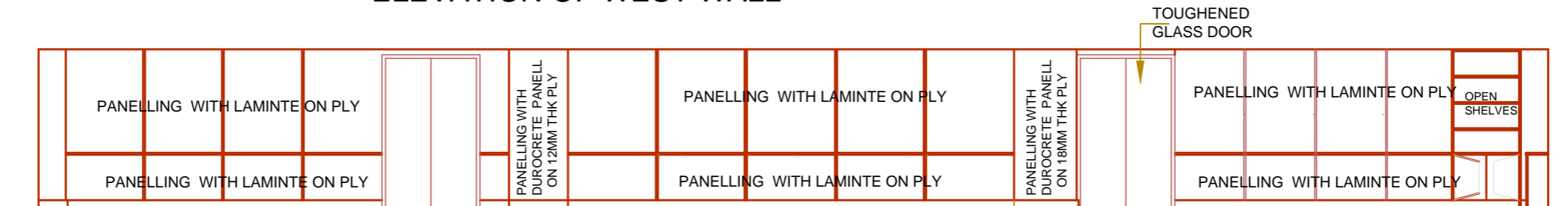
SECTION -XX' N.T.S.



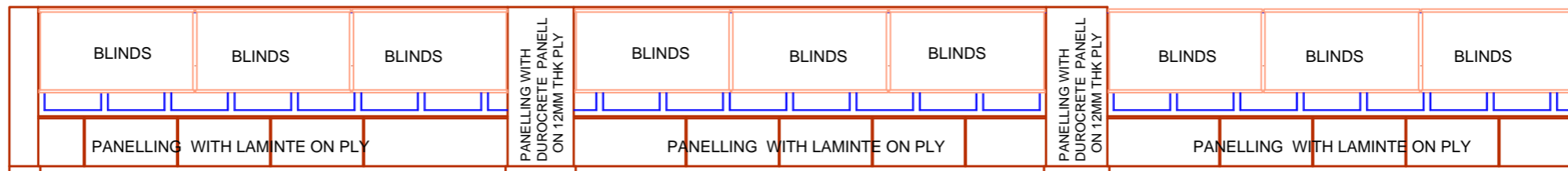
ELEVATION OF EAST WALL



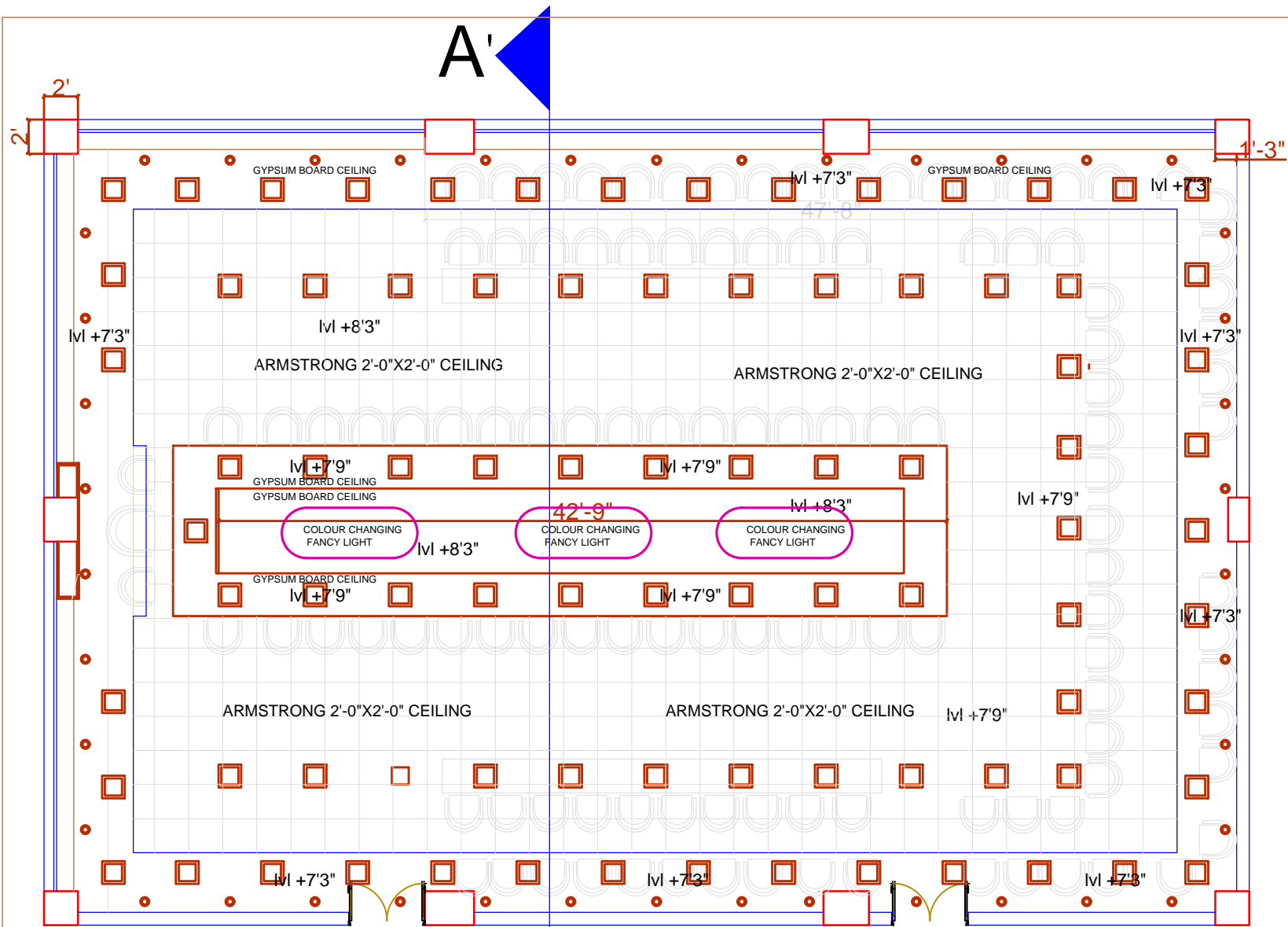
ELEVATION OF WEST WALL



ELEVATION OF NORTH WALL



ELEVATION OF SOUTH WALL



REVERSE CEILING PLAN

